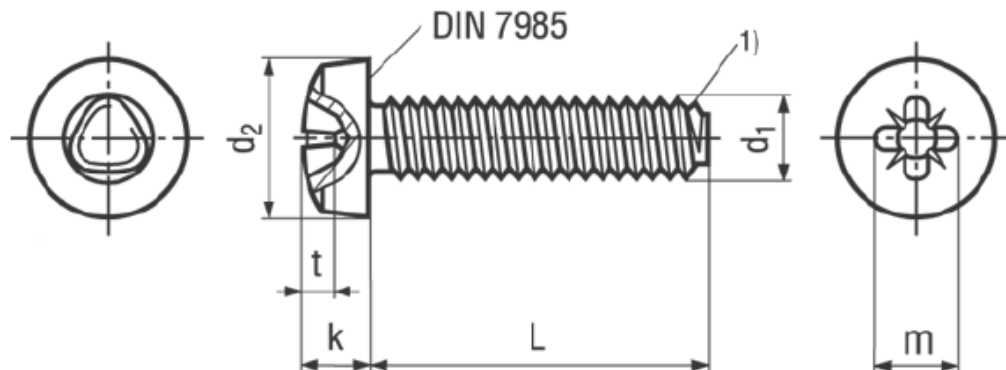


BN 2724 - DIN 7500 C

Cross recessed pan head thread forming screws
type C, Pozidriv Z, metric thread
case-hardened

DIN 7500 C
~UNI 8112



Material	Steel	Hardness	450-550 HV
Surface	zinc plated blue		

Article No. - 1473859	
d ₁	M5
L	12
d ₂ max.	10
k max.	3,95
Pozidriv	2
m~	5
t min.	2,64
t max.	3,1

Tapered thread end max. 4P

Screwdriver Bits 1/4": BN 31514 and BN 31516 / CG 1

Fasteners steel case-hardened with electroplated coatings: Susceptible to hydrogen embrittlement!