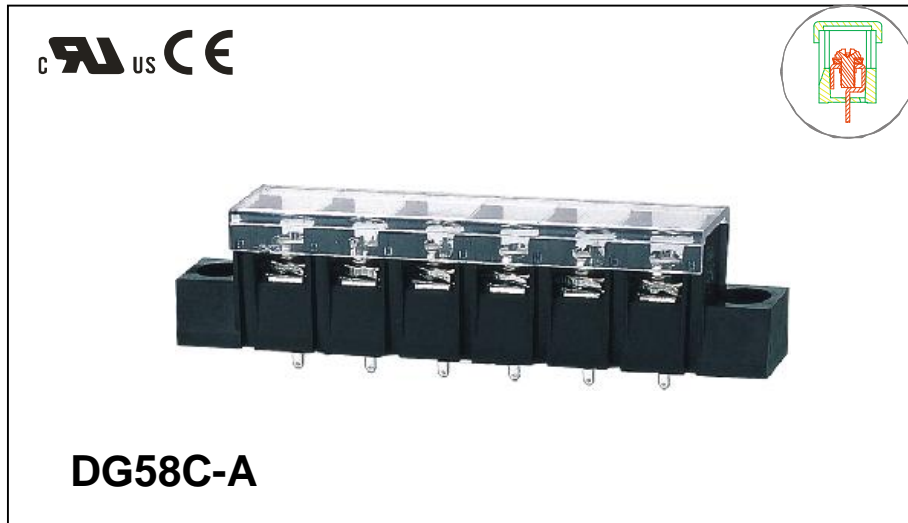


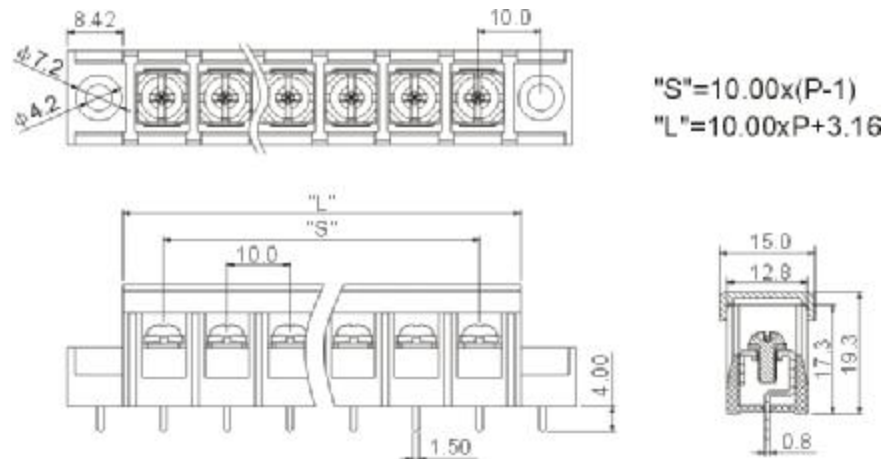


# DEGSON ELECTRONICS CO., LTD.

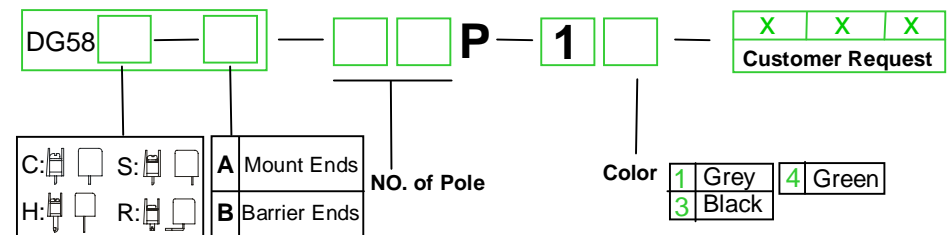
## Product Specification



|                            |                                    |                    |
|----------------------------|------------------------------------|--------------------|
| <b>Approval</b>            |                                    |                    |
| <b>Electrical Standard</b> | <b>UL</b>                          | <b>IEC</b>         |
| Rated voltage              | 300V                               | 450V               |
| Rated current              | 20A                                | 32A                |
| Wire range                 | 22-12AWG                           | 4.0mm <sup>2</sup> |
| With standing voltage      | AC3000V/1Min                       |                    |
| Insulation Resistance      | 500M $\Omega$ /DC500V              |                    |
| <b>Mechanical</b>          |                                    |                    |
| Max. Torque Value          | 1.2N.m 10.6Lb.in                   |                    |
| Ambient temperature        | -40 $^{\circ}$ C~+105 $^{\circ}$ C |                    |
| <b>Dimensions</b>          |                                    |                    |
| Pitch                      | 10.0mm(.394")                      |                    |
| Poles                      | 2P-20P                             |                    |
| <b>Material</b>            |                                    |                    |
| Housing                    | PA66+23%GF,UL94V-0                 |                    |
| Terminal                   | Brass,0.8t Tin plated              |                    |
| Screws                     | Steel,M4 Ni plated                 |                    |



### HOW TO ORDER :



| Poles | 2      | 3      | 4      | 5      | 6      | 7      | 8      | 9      | 10     | 11     | 12     | 13     | 14     | 15     |
|-------|--------|--------|--------|--------|--------|--------|--------|--------|--------|--------|--------|--------|--------|--------|
| L(mm) | 23.16  | 33.16  | 43.16  | 53.16  | 63.16  | 73.16  | 83.16  | 93.16  | 103.16 | 113.16 | 123.16 | 133.16 | 143.16 | 153.16 |
| S(mm) | 10.00  | 20.00  | 30.00  | 40.00  | 50.00  | 60.00  | 70.00  | 80.00  | 90.00  | 100.00 | 110.00 | 120.00 | 130.00 | 140.00 |
| Poles | 16     | 17     | 18     | 19     | 20     | 21     | 22     | 23     | 24     | 25     | 26     | 27     | 28     |        |
| L(mm) | 163.16 | 173.16 | 183.16 | 193.16 | 203.16 | 213.16 | 223.16 | 233.16 | 243.16 | 253.16 | 263.16 |        |        |        |
| S(mm) | 15.00  | 16.00  | 17.00  | 18.00  | 19.00  | 20.00  | 21.00  | 22.00  | 23.00  | 24.00  | 25.00  |        |        |        |

|  |                                     |
|--|-------------------------------------|
|  | <b>DEGSON ELECTRONICS CO., LTD.</b> |
|  | <b>NAME</b> <b>DG58C-A</b>          |