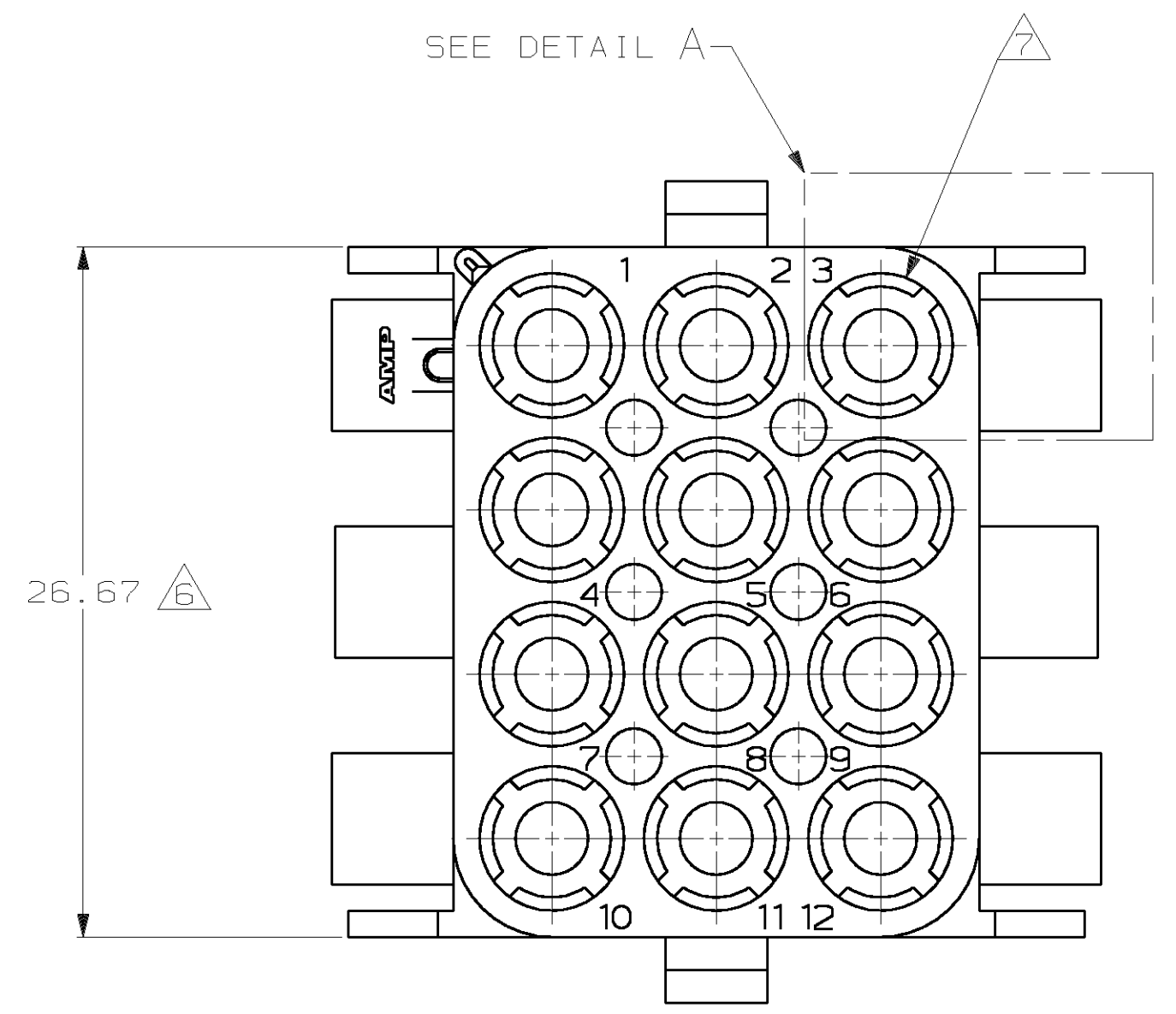
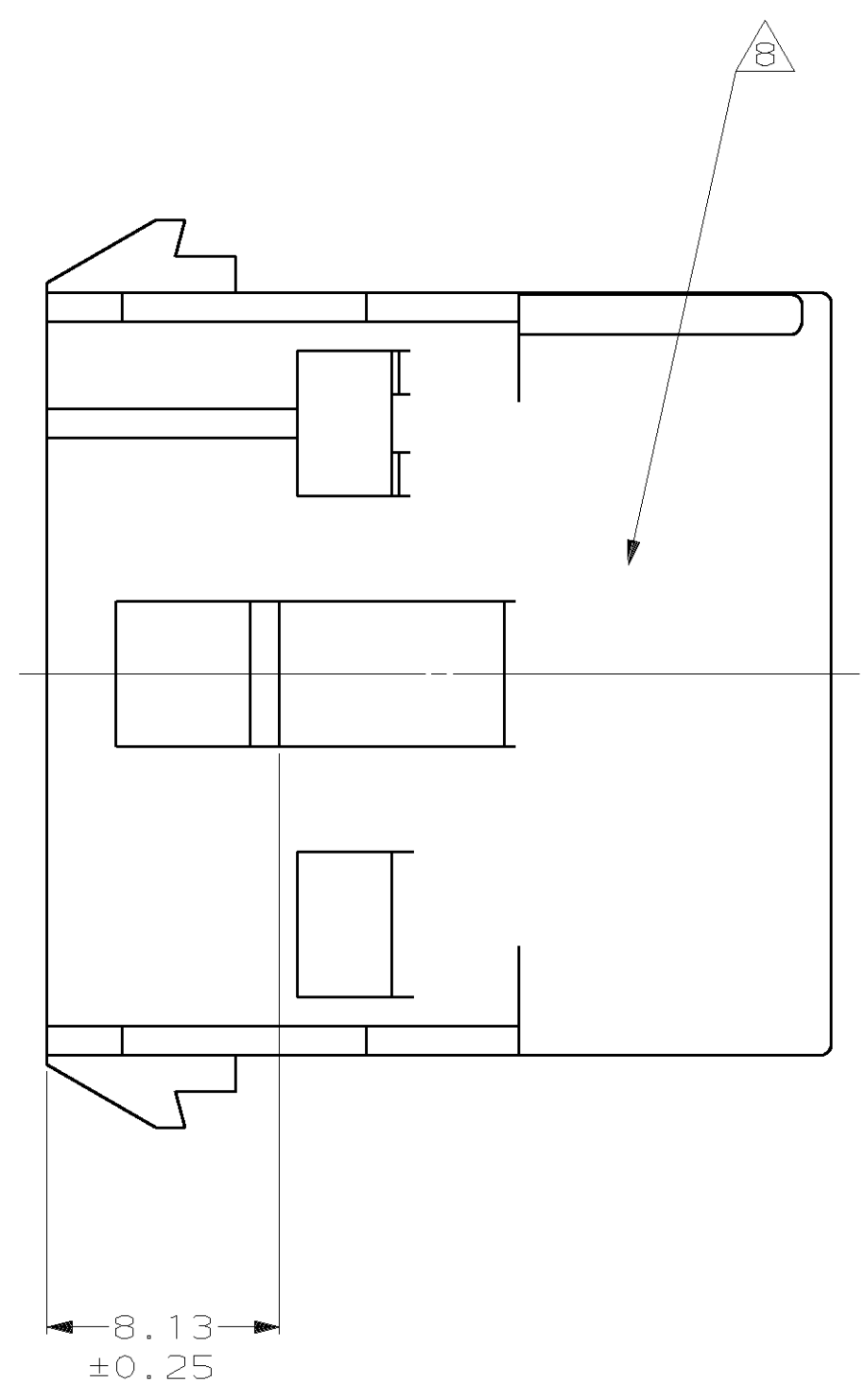
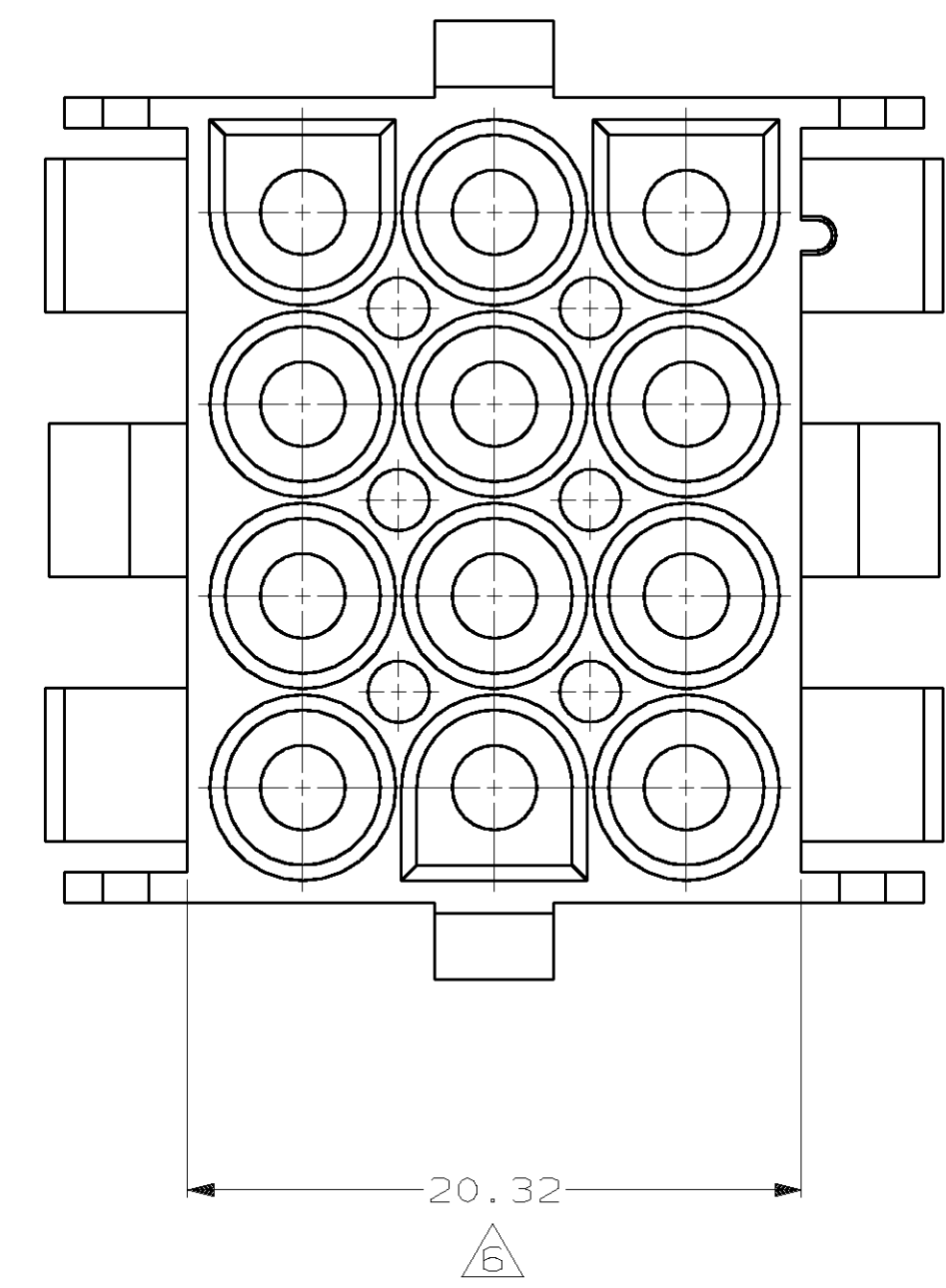
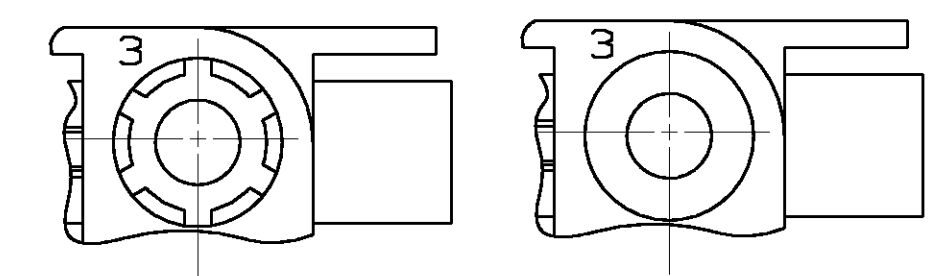


LOC		DIST		REV		ZONE		LTR		REVISIONS		DATE	APPD
CM	53	P	F							U	REV PER EC 0G1B-0229-98	17-FEB-99	JH RS

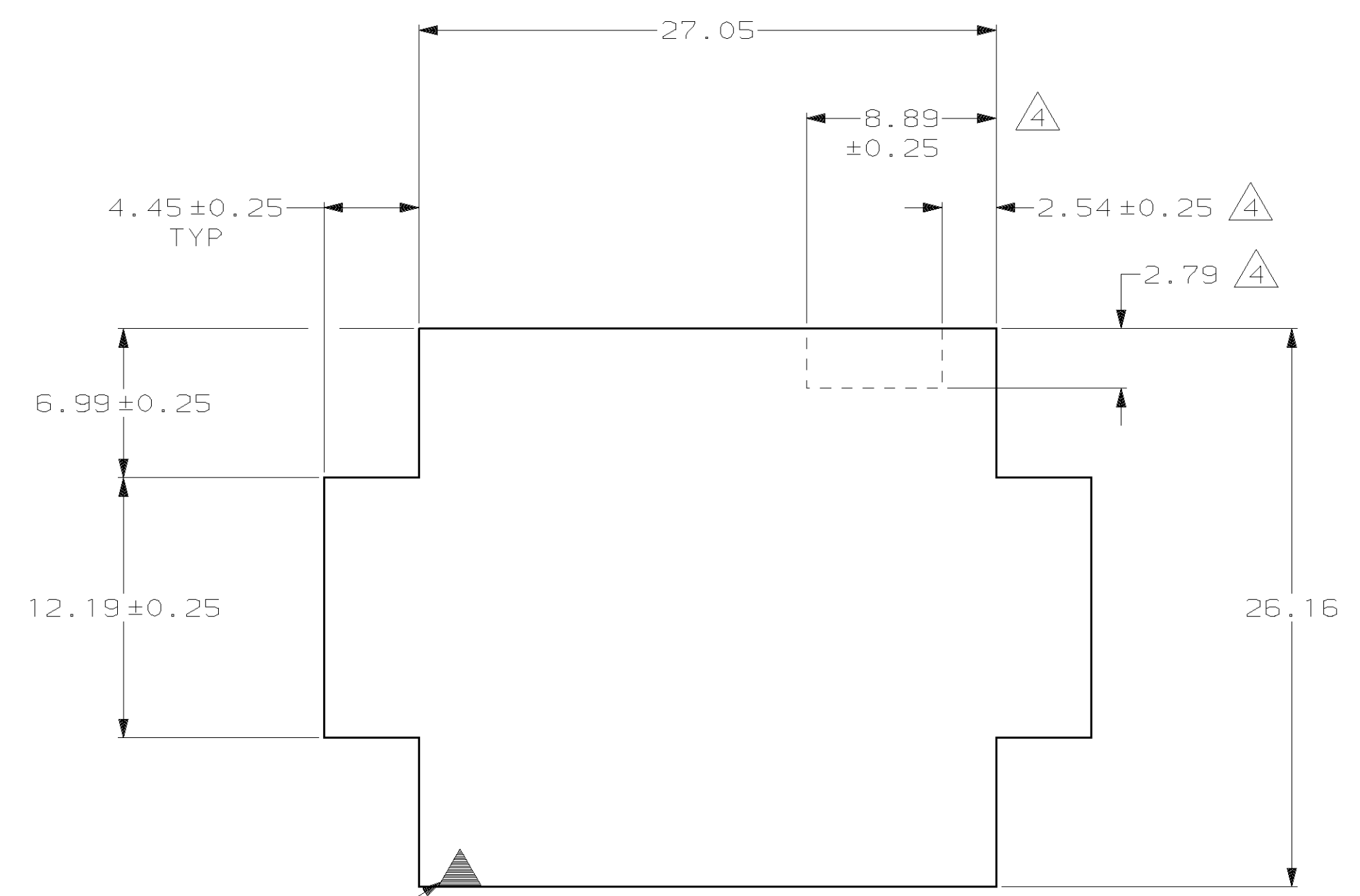
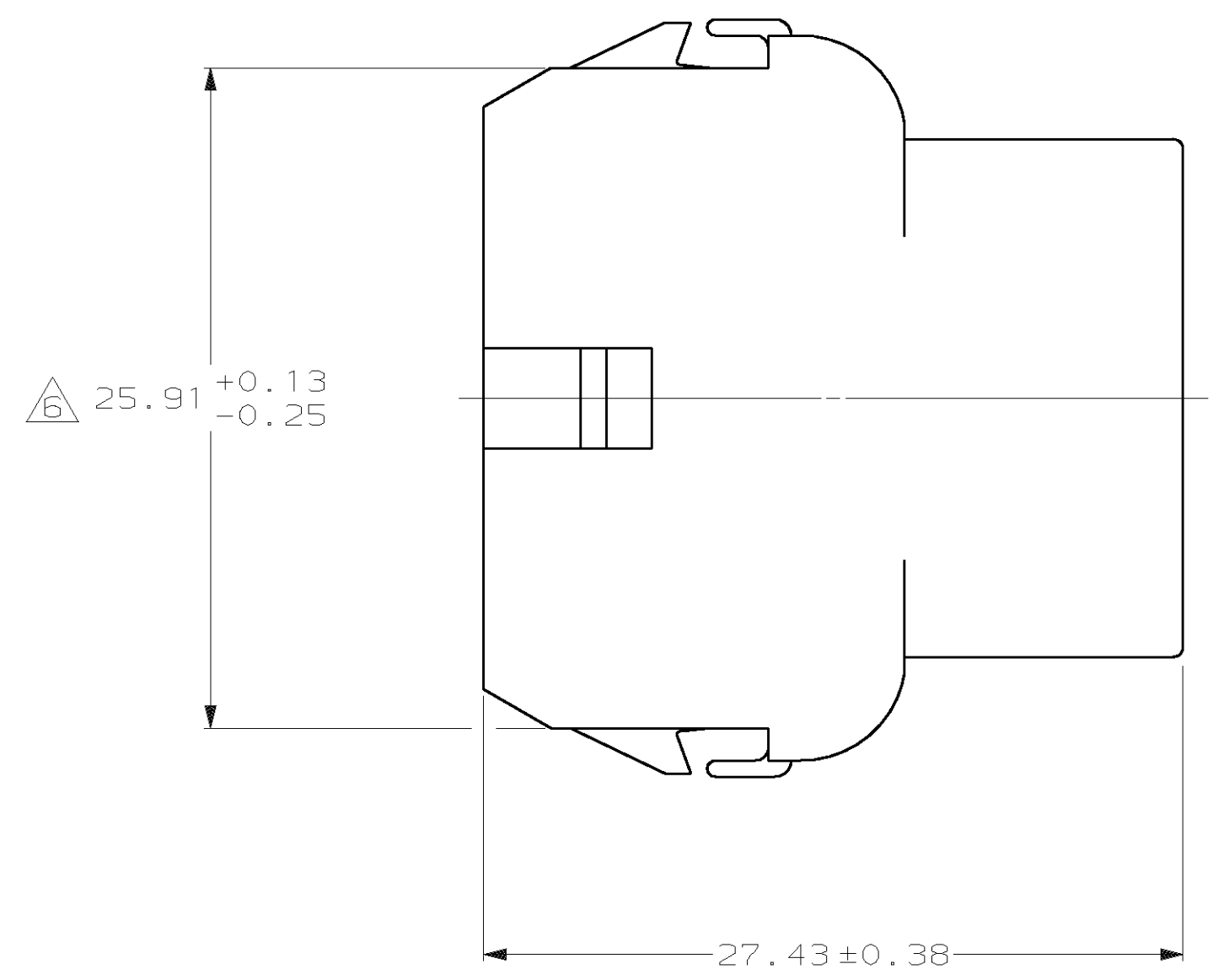


1. MATES WITH APPROPRIATE UNIVERSAL MATE-N-LOK™ PLUG.
2. RECOMMENDED PANEL THICKNESS 0.76 - 2.29.
3. PANEL MUST BE PUNCHED SO THAT THE HOUSING ENTERS THE PANEL IN THE SAME DIRECTION AS THE PUNCH.

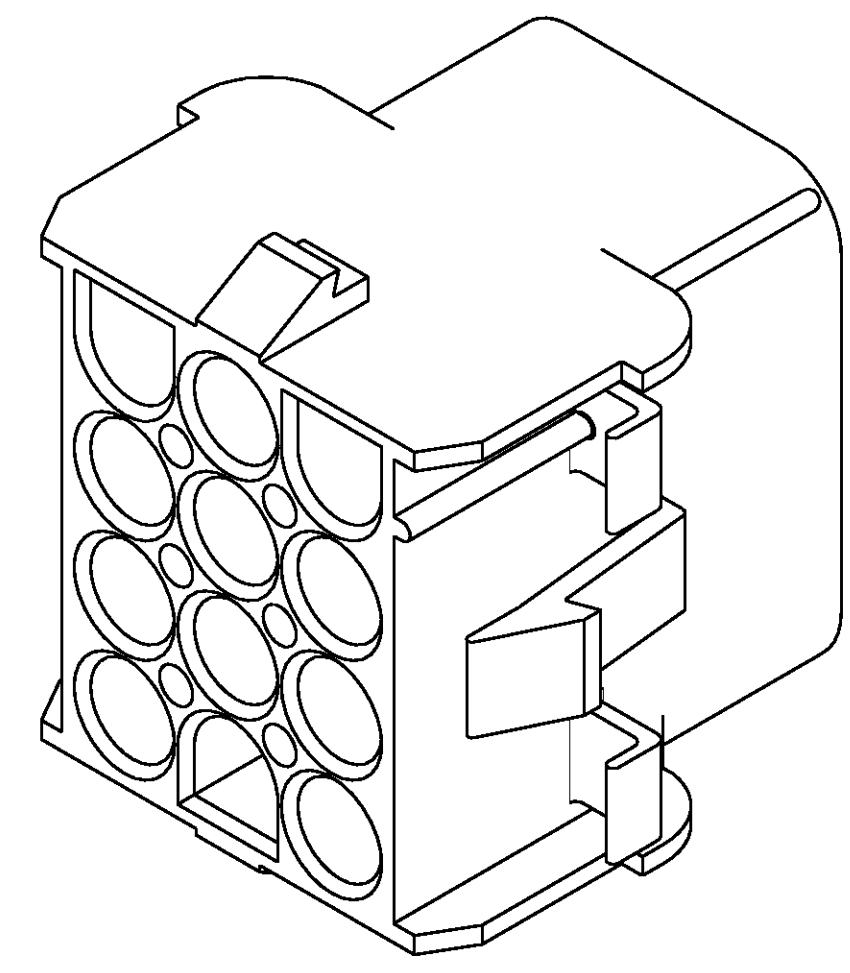
- △ A OPTIONAL FOR KEYING HOUSING IN PANEL.
- △ B CIRCUIT NUMBER 1 LOCATION.
- △ C DIMENSION INDICATED IS AS MOLDED. ADDITIONAL GROWTH DUE TO SUBSEQUENT MOISTURE ABSORPTION MAY OCCUR.
- △ D FOUR RIBS EQUALLY SPACED, NO SPECIFIC ORIENTATION. NO RIBS OR SIX RIBS EQUALLY SPACED, NO SPECIFIC ORIENTATION, OPTIONAL.
- △ E UNDERWRITERS RECOGNIZED COMPONENT LOGO AND CSA CERTIFICATION LOGO TO BE LOCATED ONCE EACH ON SIDE OF HOUSING.



DETAIL A
 OPTIONAL CONSTRUCTION



RECOMMENDED PANEL CUT OUT



3-DIMENSIONAL MODEL
 NTS

MM	IN	MM	IN
6.99	.275	27.43	1.080
4.45	.175	27.05	1.065
2.79	.110	26.67	1.050
2.54	.100	26.16	1.030
2.29	.090	25.91	1.020
0.76	.030	20.32	.800
0.38	.015	12.19	.480
0.25	.010	8.89	.350
0.13	.005	8.13	.320
MM	IN	MM	IN

CONVERSION TABLE

METRIC

THIS DRAWING IS A CONTROLLED DOCUMENT FOR AMP INCORPORATED. IT IS SUBJECT TO CHANGE AND THE CONTROLLING ENGINEERING ORGANIZATION SHOULD BE CONTACTED FOR THE LATEST REVISION.

DO NOT SCALE PRINT. UNLESS SPECIFIED DIMENSIONS IN mm [INCHES]		DR 5-28-92 K. WHITAKER		350783-1 PART NO	
TOLERANCES ON: 2 PLC DEC ± 0.13 3 PLC DEC ± - ANGLES ± 1°0'		CHK 5-28-92 R. SWING		AMP AMP Incorporated Harrisburg, PA 17105-3508	
MATERIAL NYLON, UL 94V-0		APPD 6-2-92 D. SELF		NAME CAP, 12 CIRCUIT, UNIVERSAL MATE-N-LOK™	
FINISH		APPD 6-2-92 D. SELF		PRODUCT SPEC	
APPLICATION SPEC		-		SIZE D	
WEIGHT		-		CAGE CODE 00779	
-		-		DRAWING NO C-350783	
-		-		SCALE 4:1	
-		-		SHEET 1 OF 1	