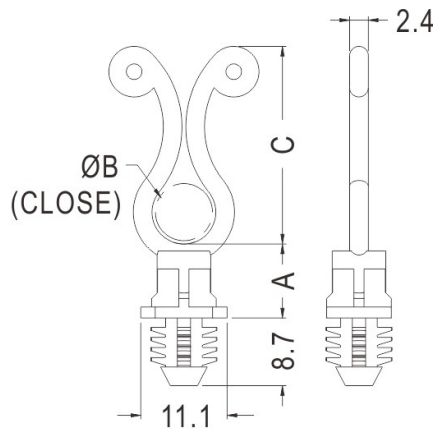




## FIX-WTL

- ◆ MATERIAL: NYLON 66 (UL)
- ◆ FLAME CLASS: 94V-2
- ◆ COLOR: NATURAL
- ◆ UNIT: mm



CHASSIS Ø7.9  
 PANEL THICKNESS 6.4 MIN.

PART NO	A	B	C
FIX-WTL-764	6.4	7.6~10.2	25.4
FIX-WTL-795	9.5	7.6~10.2	25.4
FIX-WTL-1064	6.4	10.2~12.7	28.6
FIX-WTL-1095	9.5	10.2~12.7	28.6
FIX-WTL-1764	6.4	17.8~20.3	38.1
FIX-WTL-1795	9.5	17.8~20.3	38.1
FIX-WTL-7127	12.7	7.6~10.2	25.4
FIX-WTL-7159	15.9	7.6~10.2	25.4
FIX-WTL-10127	12.7	10.2~12.7	28.6
FIX-WTL-10159	15.9	10.2~12.7	28.6
FIX-WTL-17127	12.7	17.8~20.3	38.1
FIX-WTL-17159	15.9	17.8~20.3	38.1